

# INSTALLATION INSTRUCTIONS

Ducati Monster | 2021 →

EXHAUST SYSTEM:  
Slip-on



# SYMBOLS

The following symbols are used throughout these installation instructions:



**TOOLS AND PROTECTIVE EQUIPMENT REQUIRED**



**TIGHTENING TORQUE**



**LUBRICATION**



**HAND TIGHTEN**



**INSTALLATION TIP**



**CAUTION OR IMPORTANT**



**MOVEMENT ARROW**



**INDICATOR ARROW**



## **CERAMIC PASTE**

For lubrication and corrosion protection on screws, bolts, fits and pins. Free of standard and heavy metals, prevents sticking and seizing, neutral to all known sealing materials, non toxic, up to +1400°C heat resistant, short term up to +1600°C, prevents wear and tear.



## **TOOLS AND EQUIPMENT**

Use appropriate safety equipment like eye protection and mechanic gloves!  
Use appropriate and working tools for mounting and dismounting of the exhaust system.



We congratulate you on buying a product from REMUS and thank you for your trust. We are always striving to offer the very best product for your vehicle through continuous innovation processes and usage of the latest technologies.

# READ THIS

**Please read this entire installation manual carefully prior to installing and using the REMUS exhaust system.**

REMUS exhaust system should only be installed by persons skilled in car/motorcycle exhaust system installation and performance. The instructions provided in this manual should be followed to ensure proper installation and safe use of the REMUS exhaust system. REMUS and/or its partners shall not be held liable for any damage or personal injury (including direct, indirect, or consequential damage) sustained as a result of improper installation of the REMUS exhaust system or its use and maintenance contrary to the instructions and warnings contained herein.

If you have any questions regarding the installation and/or proper use of the REMUS exhaust system or this manual, please contact your local REMUS partner.

For more information on the REMUS exhaust systems, see the official REMUS website at: <http://www.remus.eu>

## GENERAL INFORMATION

Your safety is our number one priority. Please drive your car/motorcycle responsibly, safely and always obey local traffic rules.

All statements made with regard to the exhaust system's compliance are made in respect of the exhaust system "as is". Any modifications of the REMUS exhaust system or its improper installation, use or maintenance that is not in accordance with this Installation manual, may result in severe damage to the exhaust system and/ or engine, as well as personal injury, and may affect the exhaust system's compliance with the legal requirements, such as exhaust system's air and/ or noise emissions (as an example, the car/motorcycle may not be suitable for use on public roads any longer), as well as warranty coverage.

**If the REMUS exhaust system is manipulated in any way, the type approval is no longer valid!**

The exhaust system may only be used in accordance with relevant laws and regulations, including state and federal, where applicable.

Damage caused by improper installation, use and maintenance of the REMUS exhaust system is not covered by the REMUS warranty.

Technical specifications of REMUS exhaust systems and related products are subject to change without notice.



# RIGHTS & NOTES

## COPYRIGHT, OTHER RIGHTS NOTICE AND GENERAL NOTES

The REMUS trademark, including corporate logos and emblems, are subject to copyright as well as trademark rights of REMUS, its licensors, or third persons authorizing REMUS to use them. Any reproduction, technical or other manipulation, translation, or other use of the copyright and/or trademark rights contained herein is prohibited without the explicit prior written consent of REMUS.

The same especially applies to the entire contents of this manual and/or any of its parts, including but not limited to technical specifications, instructions, graphs, photographs, and so on included in this manual.

The photographs and other illustrations in this manual are symbolic and are intended to help represent individual steps for proper installation and use, as well as for a general overview.

The actual component parts of the REMUS exhaust system may not entirely correspond to the photographs and other illustrations.

REMUS takes all copyright and other rights infringement cases under serious consideration. If you have any reason to believe that your exhaust system is not an original REMUS product, please contact our local partners or REMUS at [office@remus.at](mailto:office@remus.at)



# SAFETY WARNINGS

## IMPORTANT SAFETY WARNINGS, PLEASE READ CAREFULLY

The car/motorcycle should be in the off position throughout the whole dismantling and mounting process, as well as any other work done on the exhaust system!

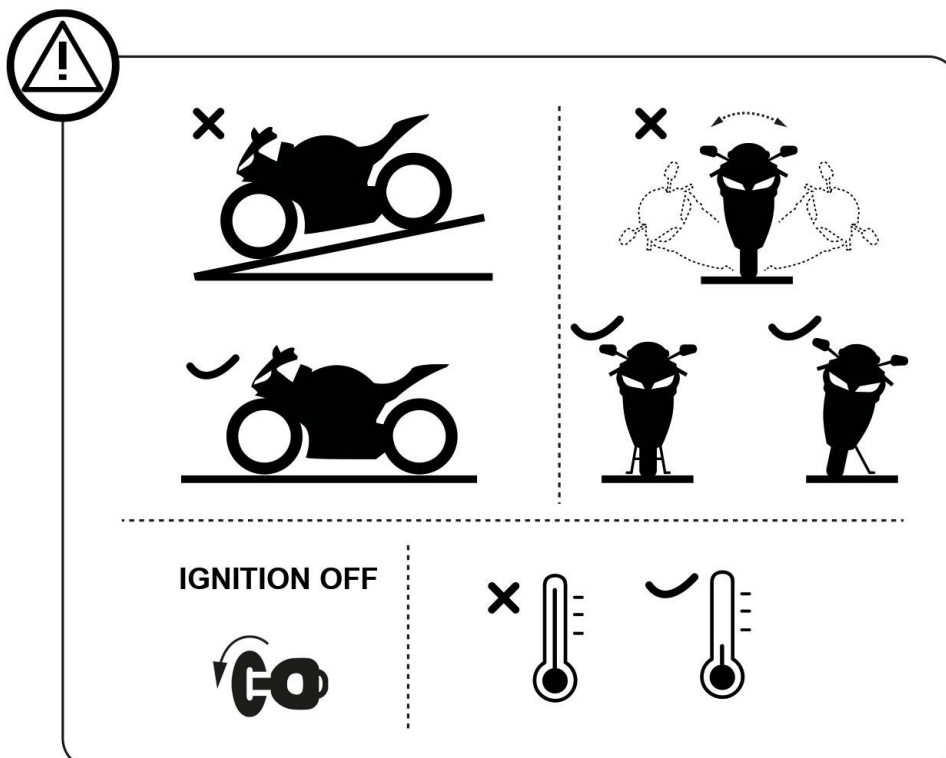
Before dismantling the exhaust system, lock the car/motorcycle and remove the key from the vehicle to avoid electrical errors in the control units!

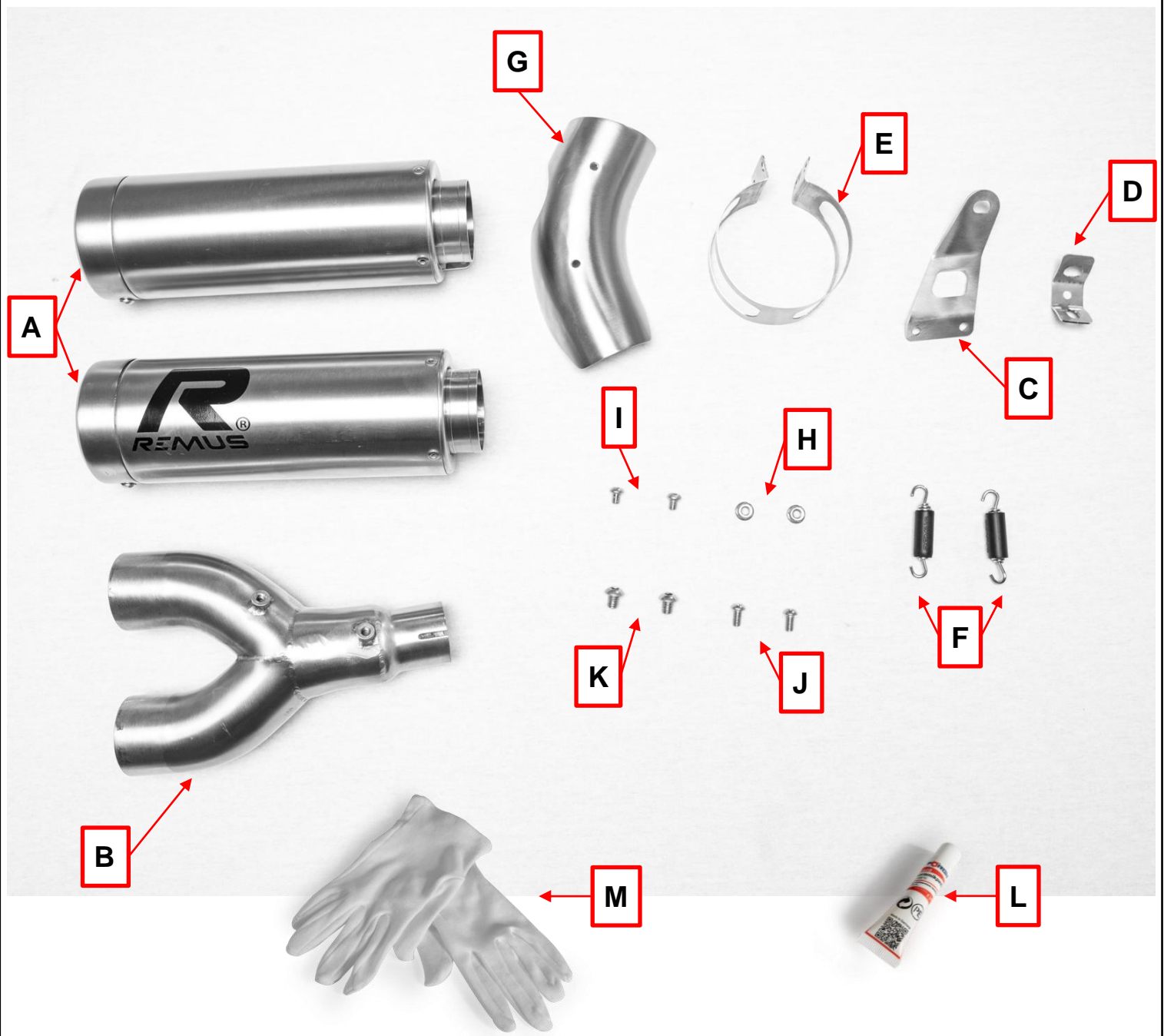
For proper dismantling and mounting of the exhaust system, it is recommended to use an certificated and tested lifting device.

The exhaust system can get extremely hot during and after it is used. Allow the exhaust and engine to cool down before touching it and beginning installation.

Make sure that you have all the parts necessary for the installation of your new REMUS exhaust system, according to the parts list in this manual. If any of the parts are missing, please do not proceed with uninstalling your stock exhaust system/installing the REMUS exhaust system and contact the retailer you bought the REMUS exhaust system from.

**CAUTION:** make sure not to injure yourself or damage any part of the vehicle during dismantling and mounting of the exhaust systems!





pos	pcs	packing content	pos	pcs	packing content
A	2	sport exhaust	H	2	nut M8
B	1	connection tube	I	2	hex socket screw M6x12 mm
C	1	exhaust bracket	J	2	hex socket screw M6x16 mm
D	1	bracket	K	2	hex socket screw M8x12 mm
E	1	exhaust clamp	L	1	copper paste
F	2	spring	M	1	pair of gloves
G	1	heat protection			



# REMOVAL

## OF STOCK EXHAUST SYSTEM:

The process of uninstalling the original exhaust system may vary depending on the existing exhaust system. Please follow the original exhaust system manufacturer's instructions for uninstalling the original exhaust system.

If you for any reason decide otherwise, please note that any information provided in this respect herein should be considered as general information provided for your convenience only.

REMUS shall not assume any liability or responsibility with regard to uninstalling your existing exhaust system, warranty coverage of such exhaust system or vehicle or their further fitness for use.

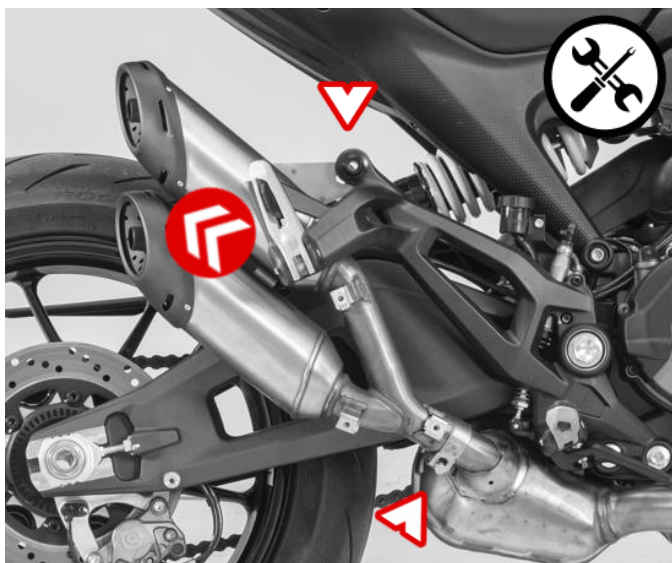


## REMOVAL OF STOCK EXHAUST SYSTEM:

Dismount the heat shield.




Loosen the screw of the bracket and the clamp. Remove the serial mufflers.

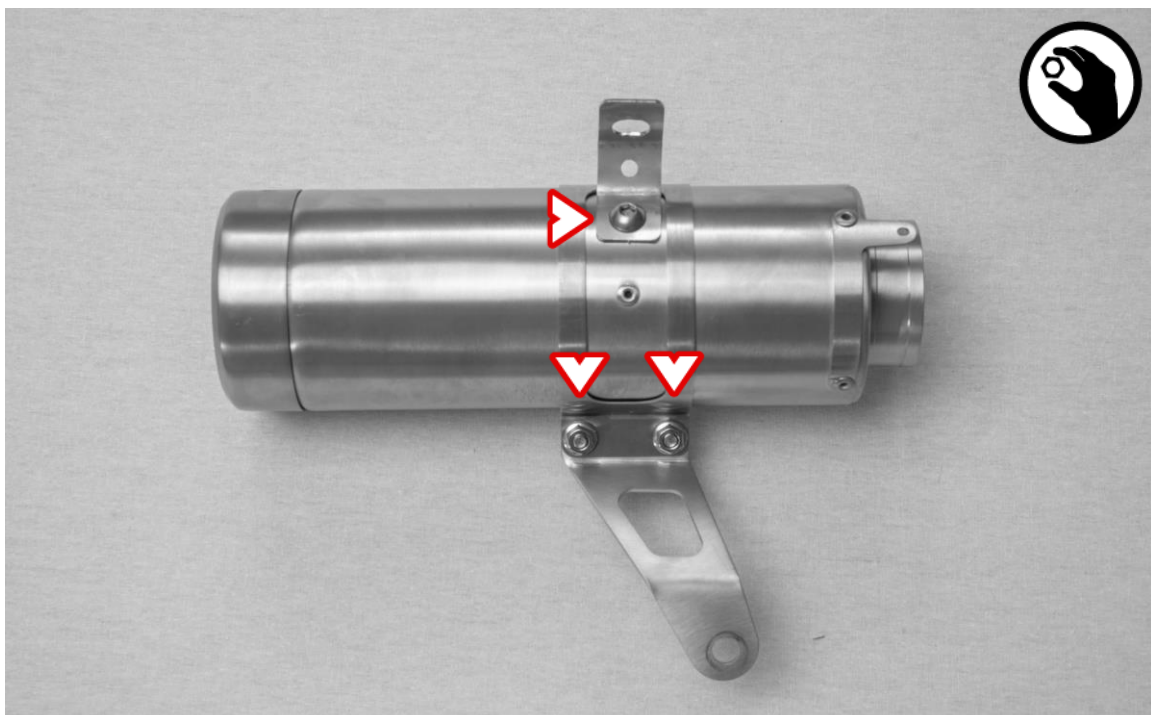




# INSTALLATION OF THE REMUS EXHAUST SYSTEM

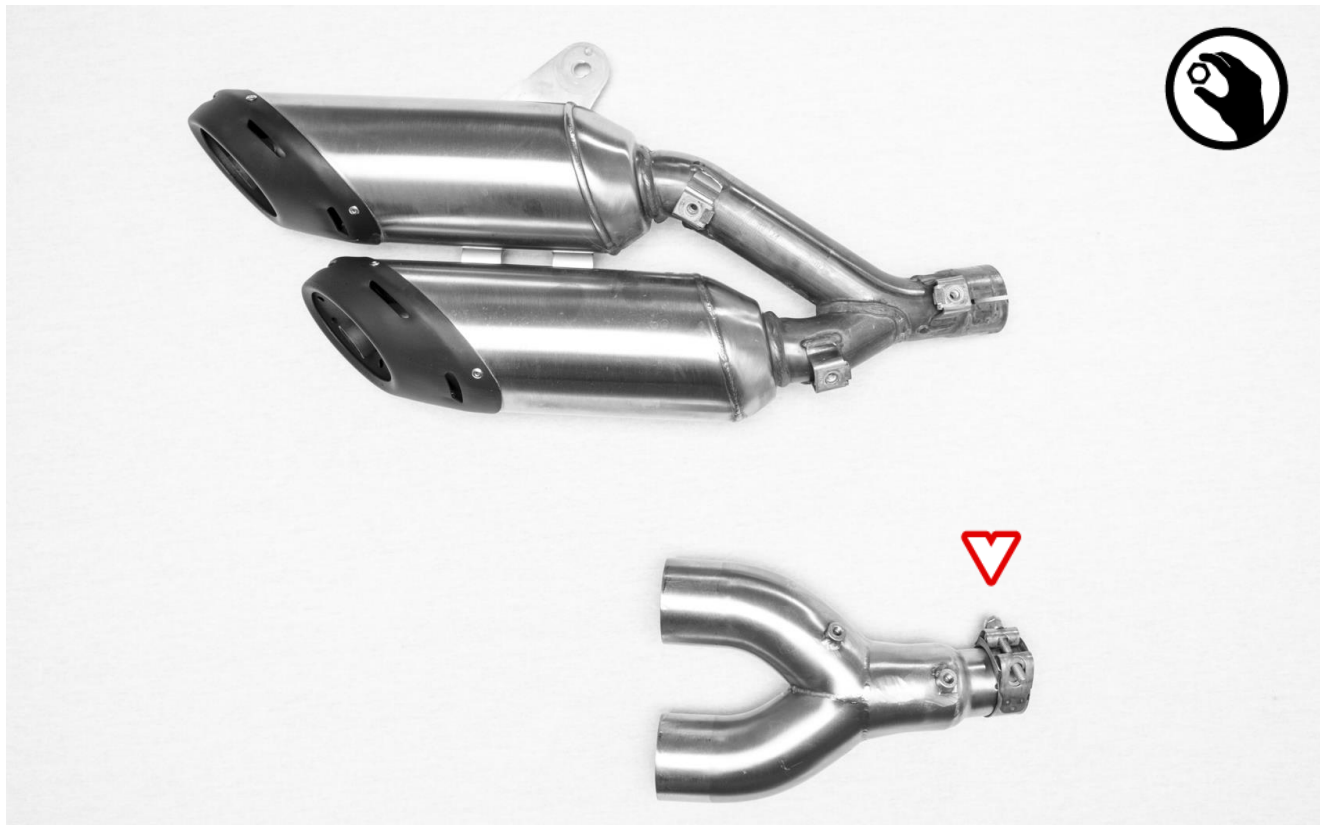
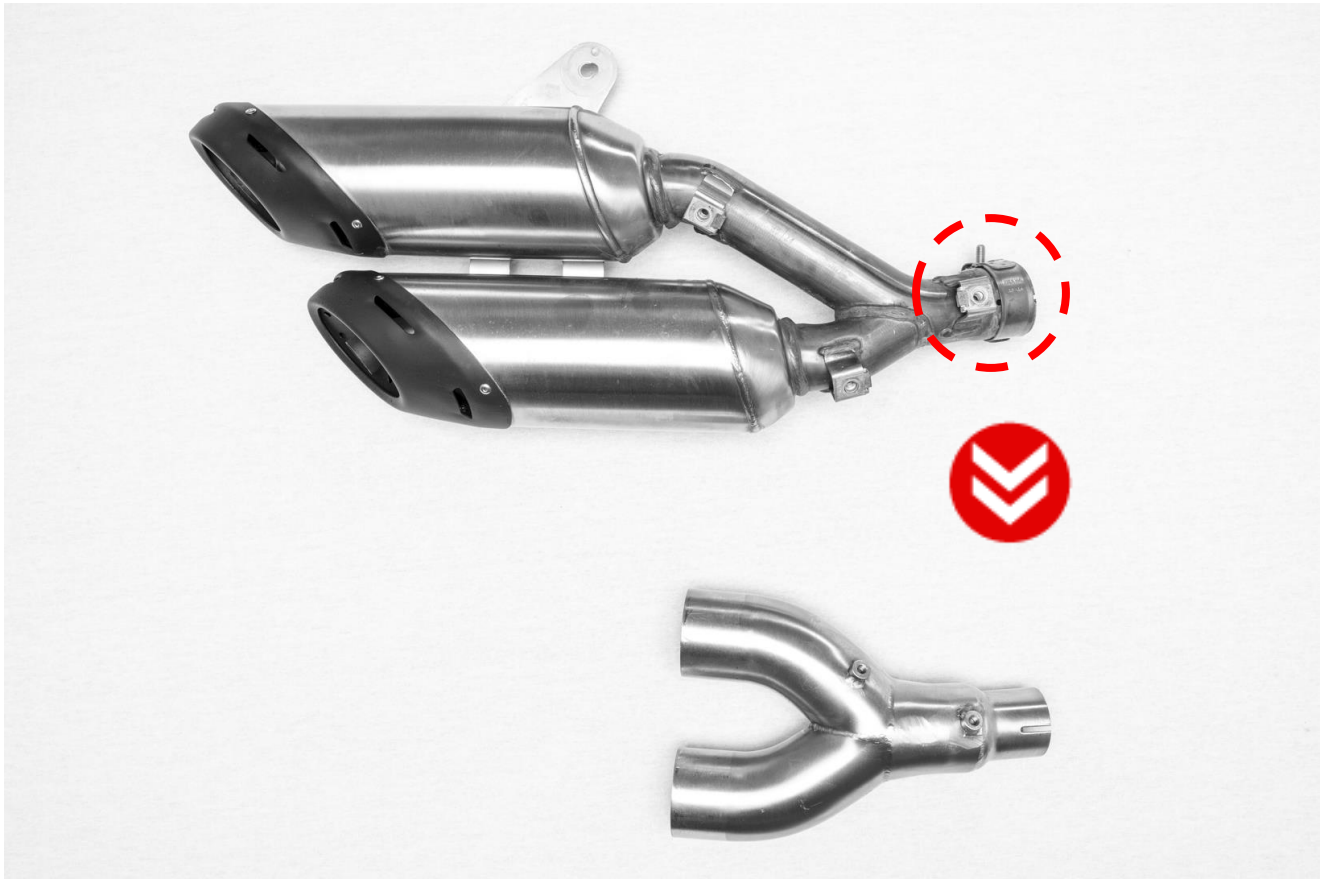
Install the supplied brackets and the exhaust clamp onto the REMUS sport exhaust.

 Tighten the clamp and screws only hand-tight!



Remove the clamp from the stock muffler and mount it onto the REMUS connection tube.

 **Tighten the clamp and screws only hand-tight!**



Install the REMUS connection tube onto the serial front silencer.

 **Tighten the clamp only hand-tight!**



Slip on the REMUS sport exhaust onto the connection tube and bold the bracket.



Hang in the springs.



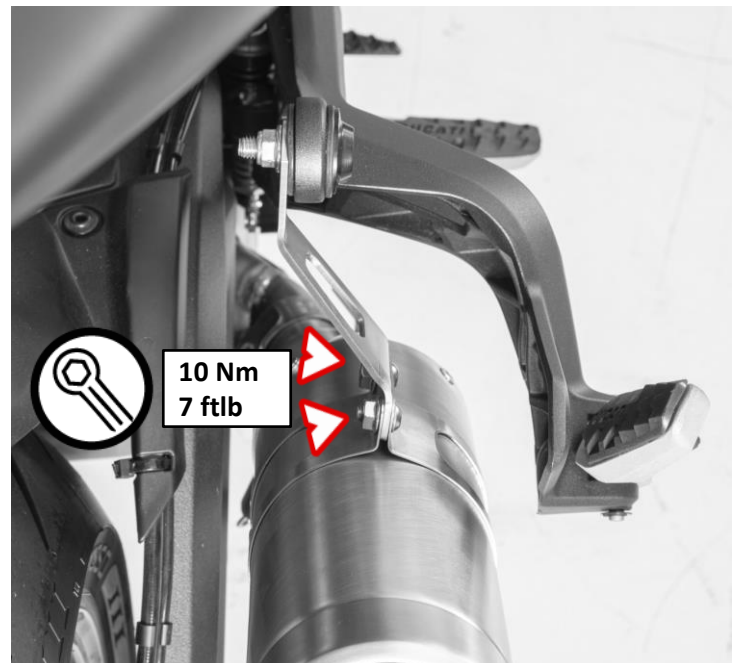
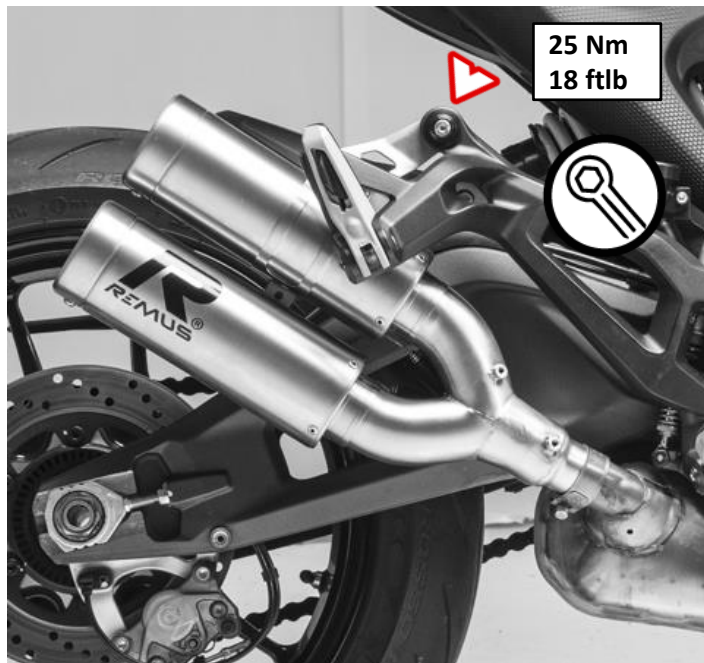
Slip on the second REMUS sport exhaust.



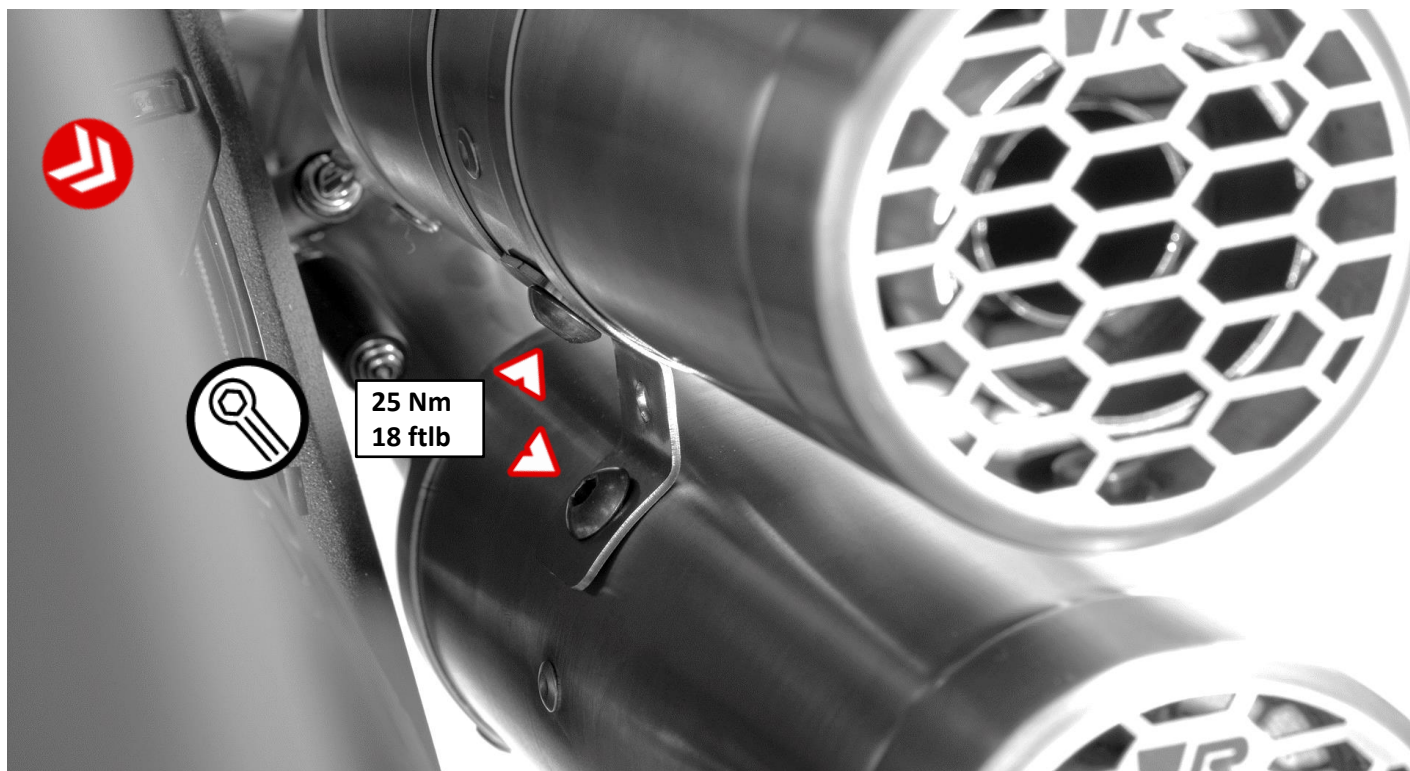
Bold the bracket and hang in the spring.



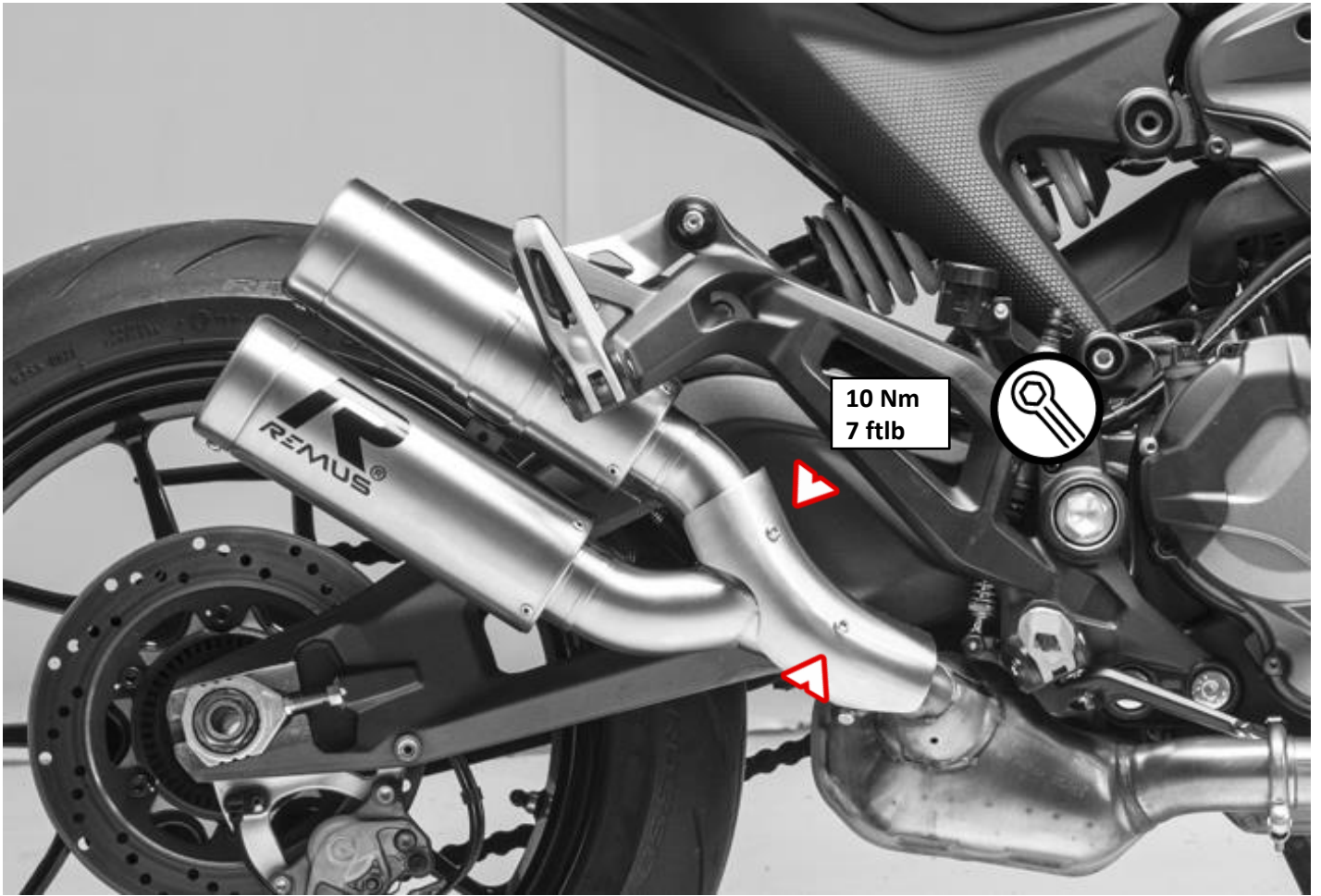
Align the REMUS sport exhaust and tighten all connections.



Align the REMUS sport exhaust and tighten the connections.



Mount the REMUS heat protection onto the REMUS connection tube.



# FINAL STEPS

**IMPORTANT:** reinstall the dismantled or partially removed stock parts (wheel arches, bumper etc.); check vehicle manufacturer manual for tightening torques.

**IMPORTANT:** make sure all the nuts and bolts are sufficiently tightened. In case the exhaust system touches the cowl or other parts, repeat the adjustment of the exhaust system or contact your authorized dealer.

**IMPORTANT:** clean all exhaust components before the first start of the engine or the stains will burn onto the surfaces!

# TROUBLESHOOTING

Problem	Possible cause	Solution
Exhaust gas is leaking out of the exhaust system	loosened clamp	tighten all connections to specified torque
	connection is not completely joined	loosen the connection and tap it into place, tighten the connection to specified torque
Valve is not working / moving	Valve is mechanical stuck	Remove the actuator and try to move the valve by hand. Use spray lubricant (WD-40® or equivalent) to make the valve working again.
	Valve is not working correct	Make sure the actuator is powered correctly. Make sure the actuator is mounted properly onto the valve and the valve spins correctly.
Exhaust system rattles / doesn't fit properly	Exhaust System is not mounted correct	loosen all connections again and readjust/align the whole system once more





# MAINTENANCE

## **STAINLESS STEEL PARTS:**

Clean stainless steel components with soft cloth sprayed with contact cleaner, then wipe with soft and dry cloth.

## **CARBON PARTS:**

Clean carbon fiber exhaust components with soft and dry cloth.

## **TITANIUM PARTS:**

Clean the titanium exhaust components with a multi-purpose spray lubricant (WD-40® or equivalent).

A change in the color of the exhaust system is normal due to high temperatures. Periodically make sure all the bolts and springs are sufficiently tight.



**IT IS NORMAL FOR WHITE SMOKE TO COME OUT OF THE MUFFLER AT FIRST OPERATION.**

**CAUTION: DO NOT STAND BEHIND THE MUFFLER AT ANY TIME.**



**CAUTION: DO NOT USE AUTOMOTIVE WHEEL CLEANERS OR ANY CLEANING PRODUCTS WHICH CONTAIN ACIDIC ADDITIVES TO CLEAN THE REMUS EXHAUST SYSTEMS.**



# THE SOUND OF **REMUS**®

FIRST CLASS QUALITY DESIGNED & BUILT IN EUROPE | AUSTRIA

[www.remus.eu](http://www.remus.eu)

 **REMUS Innovation GmbH**  
Ruhmannstraße 11  
A-8570 Voitsberg